

# SPECIFICATION SHEET MODEL 860



## REDUCED PRESSURE ASSEMBLY

### Characteristics

#### Physical Properties

Size of Mainline	2 1/2", 3, 4", 6", 8", 10"
Max. Working Pressure	175 PSI (1200 KPa)
Hydrostatic Test Press.	350 PSI (2400 KPa)
Temperature Range	32° F to 140° F (0° C to 60° C)
End Connections	Flanged ANSI B16.1 Class 125

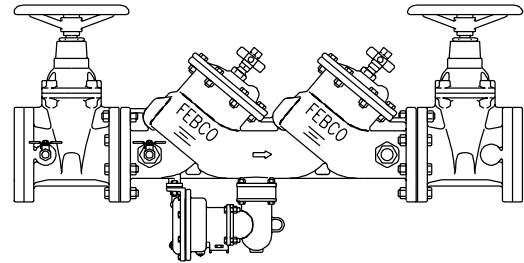
#### Materials

Main Valve Body	Ductile iron Grade 65-45-12
Coating	Fusion epoxy coated internal and external AWWA C550-90
Shut Off Valves	OS & Y resilient wedge gate valves AWWA C509
Trim	Bronze Alloy C83600
Elastomer Discs	EPDM
Spring	Stainless steel
Clamp	AWWA C606 (10" Only)

### Application

Health Hazard

U.S. Patent No. 4,989,635

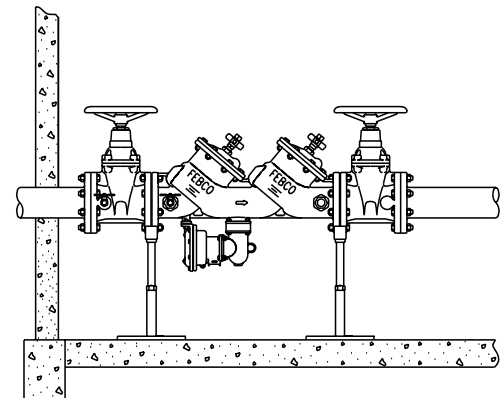
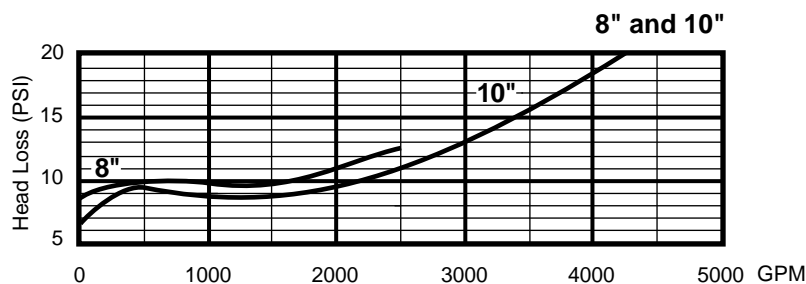
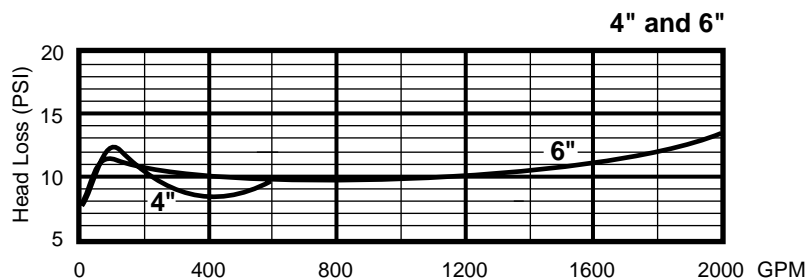
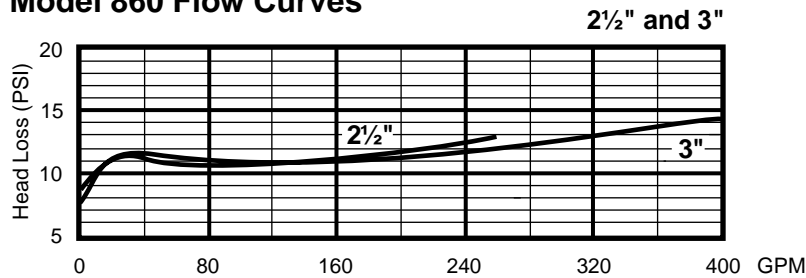


MODEL 860 REDUCED PRESSURE ASSEMBLY

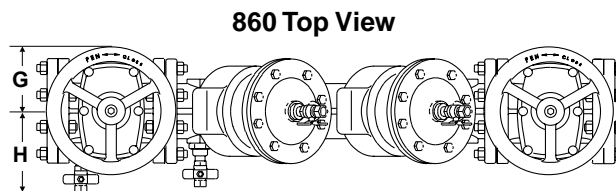
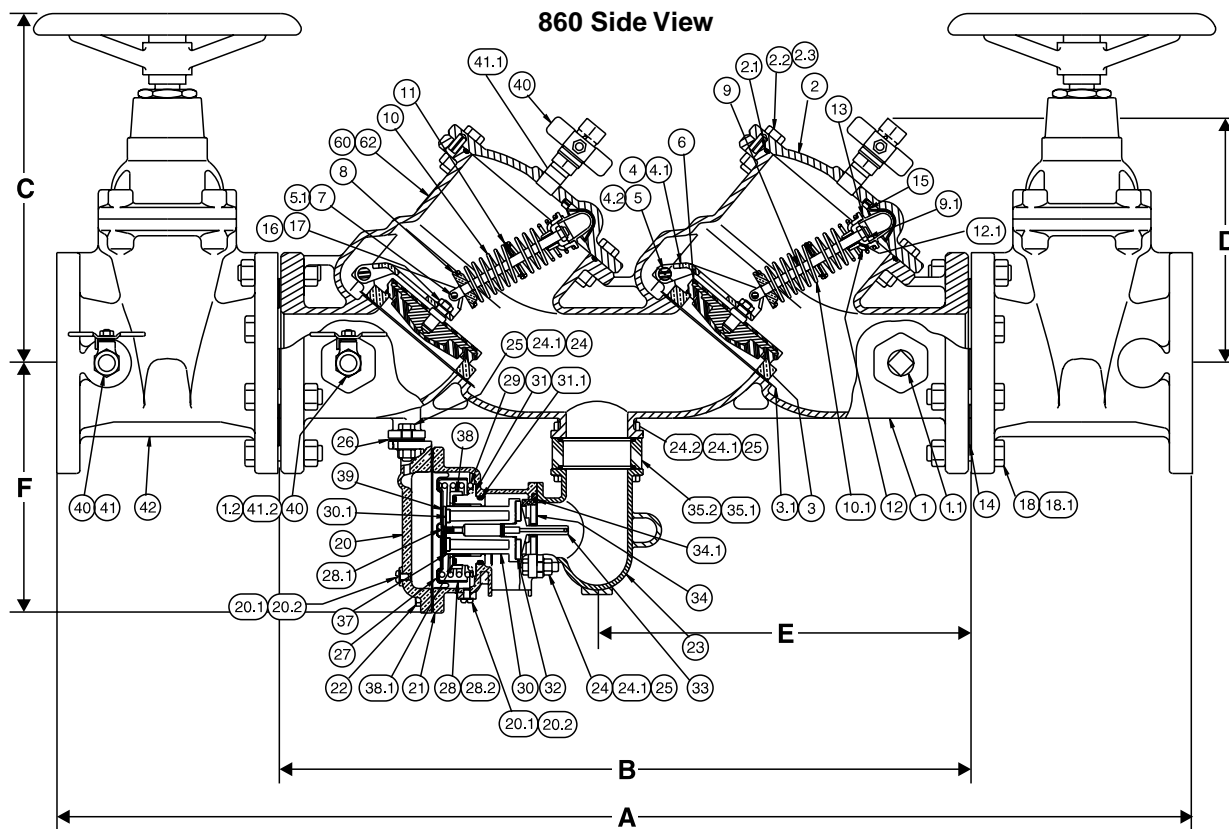
### Agency Compliance

- ANSI/AWWA (C511-89) - 2 1/2" - 10"
- ASSE (Std. 1013) - 2 1/2" - 10"
- CAN/CSA (B64.4) - 2 1/2" - 8"
- UL Listed - 2 1/2" - 8"
- FM Approved - 2 1/2" - 8"
- cUL - 2 1/2" - 8"
- Approved by the Foundation for Cross Connection Control and Hydraulic Research at the University of Southern California. - 2 1/2" - 8"

### Model 860 Flow Curves



MODEL 860 INSTALLATION



## Dimensions and Weights

SIZE	U.S. - Inches (Metric - MM)						Net Wt.	Net Wt.		
	A	B	C	D	E	F	G	H	Lbs. (Kgs.) NRS	Lbs. (Kgs.) OS&Y
2 1/2" (65)	40 3/4 (1035.1)	25 1/2 (647.7)	12 5/8 (320.7)	10 (254.0)	12 7/8 (327.0)	10 (254.0)	4 1/2 (114.3)	7 1/8 (181.0)	219 (99.3)	223 (101.2)
3" (80)	41 7/8 (1063.6)	25 5/8 (650.9)	12 7/8 (327.0)	10 (254.0)	13 (330.2)	10 (254.0)	4 1/2 (114.3)	7 3/8 (187.3)	231 (104.8)	233 (105.7)
4" (100)	46 1/4 (1174.8)	28 (711.2)	14 3/8 (365.1)	10 1/8 (257.2)	15 1/8 (384.2)	10 1/8 (257.2)	5 1/2 (139.7)	8 1/8 (206.4)	317 (143.8)	334 (151.5)
6" (150)	56 (1422.4)	34 3/4 (882.7)	18 7/8 (479.4)	12 3/4 (323.9)	20 3/4 (527.1)	11 1/8 (282.6)	6 1/2 (165.1)	9 7/8 (250.8)	481 (218.2)	516 (234.1)
8" (200)	65 (1651.0)	41 3/4 (1060.5)	23 1/2 (569.9)	15 5/8 (396.9)	26 7/8 (682.6)	12 1/4 (311.2)	7 (177.8)	11 1/8 (282.6)	734 (332.9)	796 (361.1)
10" (250)	72 5/8 (1844.7)	46 3/8 (1177.9)	27 1/2 (698.5)	15 5/8 (396.9)	28 1/4 (717.6)	12 3/8 (314.3)	9 (228.6)	12 3/8 (314.3)	946 (429.1)	1008 (457.2)

Note: Dimensions are nominal. Allowances must be made for normal manufacturing tolerances.

## Materials of Construction

ITEM	DESCRIPTION	MATERIALS	ITEM	DESCRIPTION	MATERIALS	ITEM	DESCRIPTION	MATERIALS
1	Body	A536 GR 65-45-12	10	Spring	A313 Type 631 SS	28	Button	A240 304 SS
1.1	Pipe Plug	Galv. Stl.	10.1	Spring 2nd Check	A313 Type 631 SS	28.1	Flow Washer	Acetal Resin
1.2	Bushing (2 1/2"-4" Only)	Brass	10.2	Spring Shim 2nd Check	Acetal Resin	29	RV Spring	A313 Type 302 SS
2	Cover	A536 GR 65-45-12	11	Spring Guide	B130 Alloy C22000	30	RV Stem	Acetal Resin
2.1	O-Ring	EPDM ASTM D2000	12	Upr Spring Retrn	B584 Alloy C83600	31	Main Guide	B584 Alloy C83600
2.2	Cap Screw	Plated Steel	12.1	Bushing-Spr. Stem	Acetal Resin	31.1	Main Guide O-Ring	FDA EPDM
2.3	Hex Nut	Plated Steel	13	Pivot Bearing	B585 Alloy C83600	32	Seat Disc	EPDM AST D2000
3	Seat Ring	B584 Alloy C83600	14	Flange Gasket	Rubber/Fabric	33	Lower Guide	Acetal Resin
3.1	Gasket	EPDM ASTM D2000	15	Bearing Socket	Acetal Resin	34	Seat Ring	B584 Alloy C83600
3.2	Socket Head Screw	18-8-SS	16	Hex Jam Nut	18-8 SS	34.1	O-ring	FDA EPDM
3.3	Washer	304 SS	17	Washer	302 SS	35.1	O-Ring	EPDM ASTM D2000
3.4	Elastic Stop Nut	18-8-SS	18	Flange Nut	Plated Steel	35.2	Extension	Acetal Resin
4	Arm	B584 Alloy C83600	18.1	Flange Nut	Plated Steel	37	Sm. Diaphragm	Nitrile ASTM D2000
4.1	Bushing-Swing Pin	Acetal Resin	20	R.V. Cover	B584 Alloy C83600	38	Retainer	B584 Alloy C83600
4.2	Swing Pin	304 SS	20.1	Bleed Screw	18-8 SS	38.1	Slip Ring	Acetal Resin
5	Retaining Clip	302 SS	20.2	Gasket	HDPE	39	Flow Washer	Acetal Resin
5.1	Retaining Clip	302 SS	21	R.V. Body	B584 Alloy C83600	40	Ball Valve	B584 Alloy C84400
6	Check Disk	EPDM Coated GR, 45Ductile Iron with A276 type 304SS stem	22	Cover Bolt	18-8 SS	41	Nipple	Brass
7	Load Pin	B150 Alloy C61300	23	Elbow	A536 GR 65-45-12	41.1	Nipple	Brass
8	Lwr Spring Retrn	B584 Alloy C83600	24	RV Mtg Bolt	Plated Steel	41.2	Nipple	Brass
9	Spring Stem	304 SS	24.1	Washer	Plated Steel	42	Gate Valve (NRS)	AWWA C509
9.1	Elastic Stop Jam Nut	18-8 SS	25	RV Mtg Nut	Plated Steel	60	Identification Plate	B36 Alloy C26000
			26	Gasket	EPDM	62	Drive Screw	Stainless Steel
			27	Lrg. Diaphragm	Nitrile ASTM D2000	70	Clamp	AWWA C606 (10" Only)

**Distributed by:**  
**Daniel L. Jerman Co.**  
 275 Railroad Place  
 Hackensack, NJ 07601

Phone 800.654.3733  
 Fax 201.487.3953  
 International Phone 201.487.7444

