

SPECIFICATION SHEET MODEL 856



DOUBLE CHECK DETECTOR ASSEMBLY

Characteristics

Physical Properties

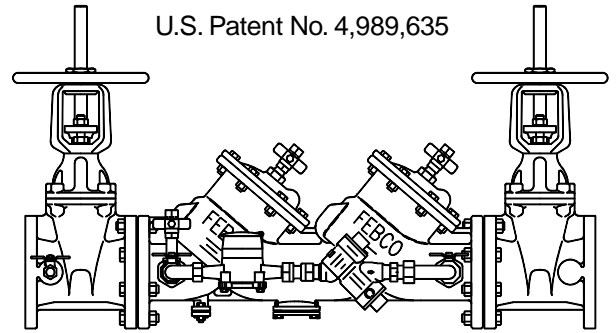
Size of Mainline	2½", 3, 4", 6", 8", 10"
Max. Working Pressure	175 PSI (1200 KPa)
Hydrostatic Test Press.	350 PSI (2400 KPa)
Temperature Range	32° F to 140° F (0° C to 60° C)
End Connections	Flanged ANSI B16.1 Class 125

Materials

Main Valve Body	Ductile iron Grade 65-45-12
Coating	Fusion epoxy coated internal and external AWWA C550-90
Shut Off Valves	OS & Y resilient wedge gate valves AWWA C509
Trim	Bronze Alloy C83600
Elastomer Discs	EPDM
Spring	Stainless steel
Clamp	AWWA C606 (10" ONLY)

Application

Non-Health Hazard Fire Sprinkler Systems



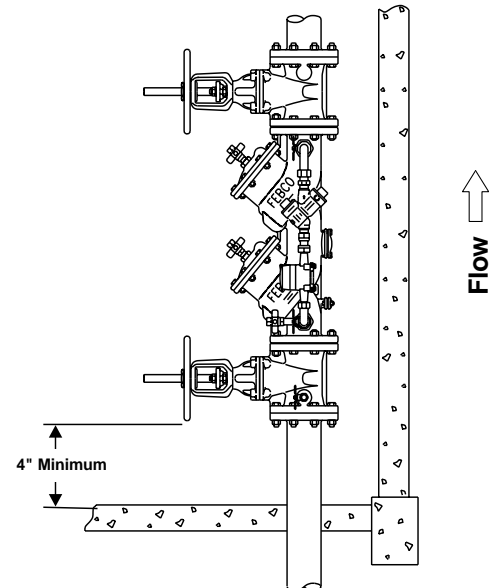
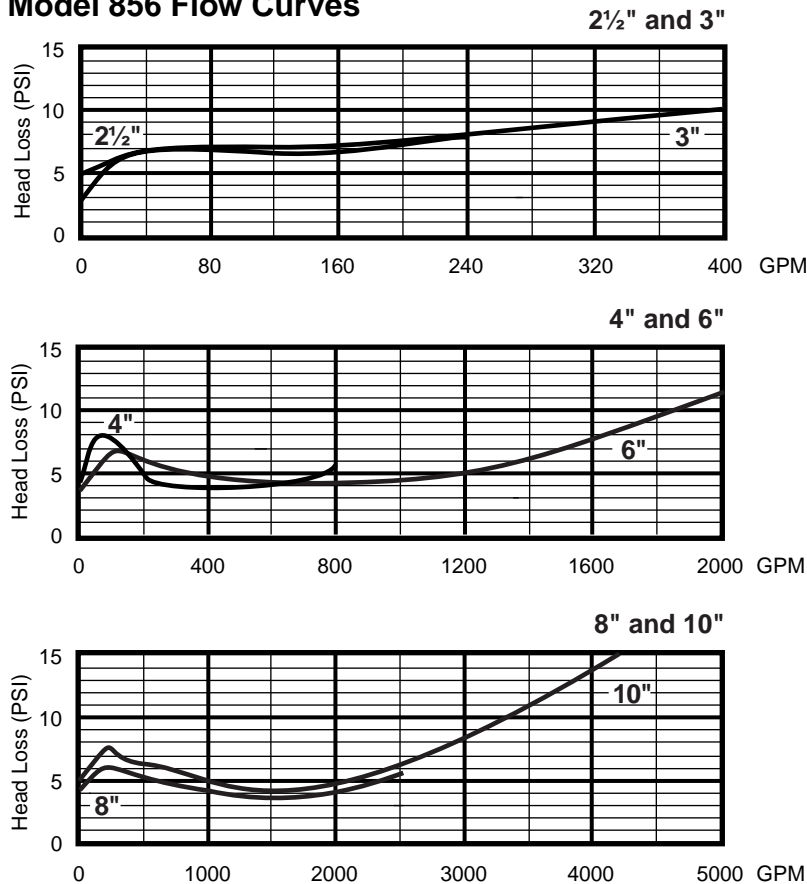
MODEL 856 DOUBLE CHECK DETECTOR ASSEMBLY

Agency Compliance

- ASSE Listed (Std. 1048) - 2½" - 8", 10" (Horizontal)
- ANSI/AWWA Conformance (C510-89) - 2½" - 8", 10" (Horizontal)
- CAN/CSA (B64.5) - 2½" - 8"
- FM - 2½" - 8"
- UL* - 2½" - 8"
- cUL* - 2½" - 8"
- Approved by the Foundation for Cross Connection Control and Hydraulic Research at the University of Southern California. - 2½" - 8"

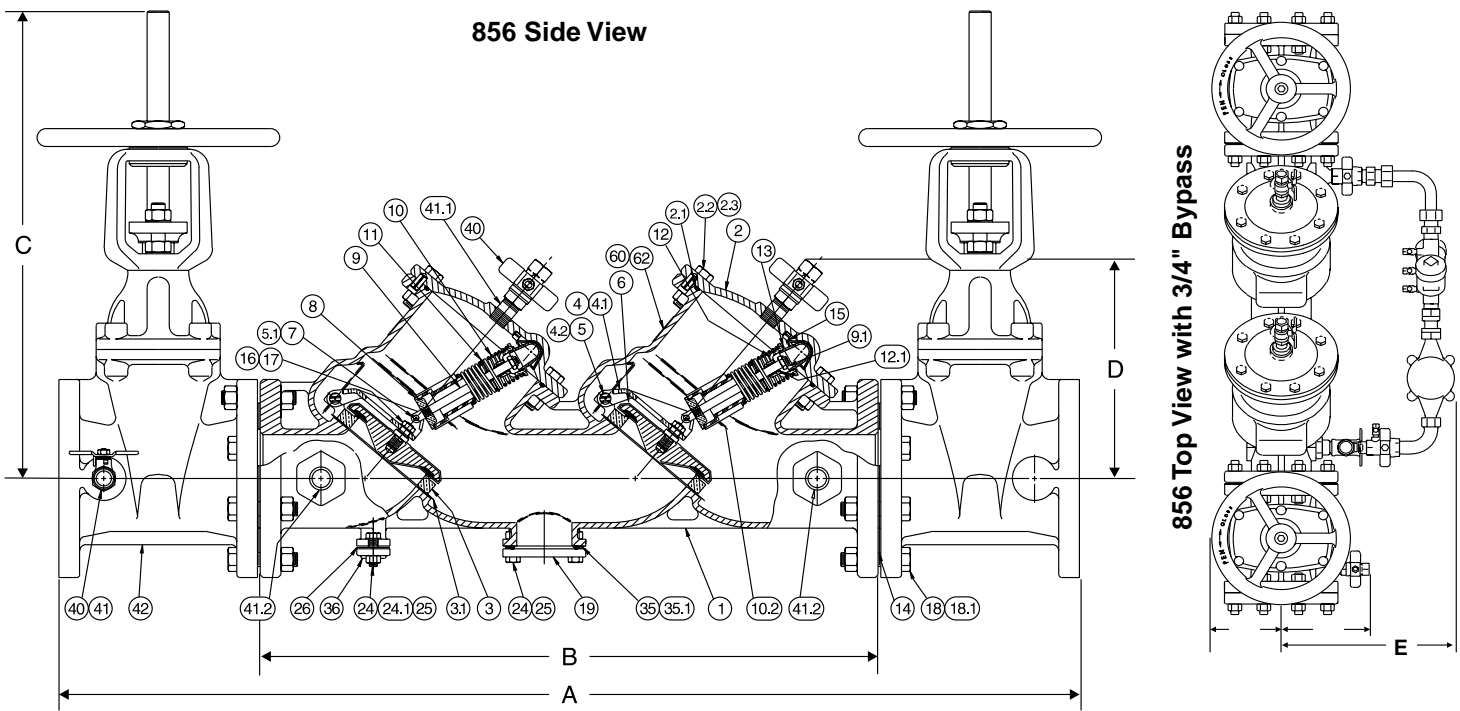
* At this time UL does not make a distinction between vertical and horizontal installations.

Model 856 Flow Curves



MODEL 856
VERTICAL INSTALLATION

MASTER
series



Dimensions and Weights U.S. Inches (mm)

SIZE	A	B	C**	D	E	F	G	NET WT.
								Lbs. (kgs.)
2½"	40¾ (1035.05)	25½ (647.70)	16¾ (415.93)	10 (254.00)	13¾ (339.73)	7½ (180.98)	4½ (114.30)	218 (98.88)
3"	41⅞ (1063.63)	25⅞ (650.88)	22¼ (565.15)	10 (254.00)	13¾ (339.73)	7¾ (187.33)	4½ (114.30)	228 (103.48)
4"	46¼ (1174.75)	28 (711.20)	23¼ (590.55)	10⅞ (257.20)	14 (355.60)	8½ (206.38)	5½ (139.70)	327 (148.32)
6"	56 (1422.40)	34¾ (882.65)	30⅞ (765.18)	12¾ (323.90)	15 (381.00)	9⅞ (250.83)	6½ (165.10)	509 (230.88)
8"	65 (1651.00)	41¾ (1060.45)	37¾ (958.85)	15⅞ (396.90)	15¾ (400.05)	11⅞ (282.58)	7 (177.80)	789 (357.88)
10"	72⅝ (1844.68)	46⅞ (1177.93)	48 (1219.20)	15⅞ (396.90)	15¾ (400.05)	12¾ (314.33)	9 (228.60)	909 (412.32)

Note: Dimensions are nominal. Allowances must be made for normal manufacturing tolerances.

** With OS&Y Gate Valves (Full Open)

Materials of Construction

ITEM	DESCRIPTION	MATERIALS	ITEM	DESCRIPTION	MATERIALS	ITEM	DESCRIPTION	MATERIALS
1	Body	A536 GR 65-45-12	8	Lwr Spring Retnr	B584 Alloy C83600	24	Bolt	Plated Steel
2	Cover	A536 GR 65-45-12	9	Spring Stem	304 SS	24.1	Washer	Plated Steel
2.1	O-Ring	EPDM ASTM D2000	9.1	ELastic Stop Nut	18-8 SS	25	Bolt	Plated Steel
2.2	Cap Screw	Plated Steel	10	Spring	A313 Type 631 SS	26	Gasket	EPDM ASTM D2000
2.3	Hex Nut	Plated Steel	10.2	Spring Shim	Acetal Resin	35	O-Ring	EPDM ASTM D2000
3	Seat Ring	B584 Alloy C83600	11	Spring Guide	B130 Alloy C22000	35.1	Back-Up Ring	Acetal Resin
3.1	Gasket	EPDM ASTM D2000	12	Upr Spring Retnr	B584 Alloy C83600	36	Cover	B584 Alloy C83600
4	Arm	B584 Alloy C83600	12.1	Bushing-Spr. Stem	Acetal Resin	40	Ball Valve	B584 Alloy C84400
4.1	Bushing-Swing Pin	Acetal Resin	13	Pivot Bearing	B585 Alloy C83600	41	Nipple	Brass
4.2	Swing Pin	304 SS	14	Flange Gasket	Rubber/Fabric	41.1	Nipple	Brass
5	Retaining Clip	302 SS	15	Bearing Socket	Acetal Resin	41.2	Nipple	Brass
5.1	Retaining Clip	302 SS	16	Hex Jam Nut	18-8 SS	42	Gate Valve (OS&Y)	AWWA C509
6	Check Disk Assy	EPDM Coated GR, 45 Ductile Iron with type 304 SS stem	17	Washer	302 SS	60	Name Plate	B36 Alloy C26000
7	Load Pin	304 SS	18	Flange Nut	Plated Steel	62	Drive Screws	SS
			18.1	Flange Nut	Plated Steel	70	Clamp	AWWA C606 (10" Only, Not Shown Above)
			19	Cover	A36 Steel Epoxy Coat			

Distributed by:
Daniel L. Jerman Co.
 275 Railroad Place
 Hackensack, NJ 07601

Phone 800.654.3733
 Fax 201.487.3953
 International Phone 201.487.7444

