

# SPECIFICATION SHEET MODEL 850 (1/2" - 2")



## DOUBLE CHECK ASSEMBLY

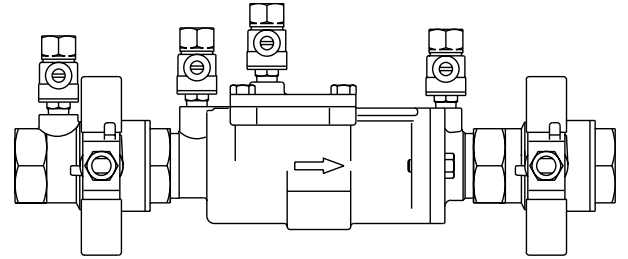
### Characteristics

#### Physical Properties

Size	1/2", 3/4", 1", 1-1/4", 1-1/2", 2"
Max. Working Pressure	175 PSI (1200 KPa)
Hydrostatic Test Press.	350 PSI (2400 KPa)
Temperature Range	32°F to 140°F (0°C to 60°C)
End Connections	Threaded ANSI B2.1

#### Materials

Valve Body	Bronze
Elastomers	Silicone
Springs	Stainless Steel



MODEL 850 (1/2" - 2") DOUBLE CHECK ASSEMBLY

### Agency Compliance

- ANSI/AWWA Conformance (C510-92)
- ASSE Listed (Std. 1015)
- CSA
- Approved by the Foundation for Cross Connection Control and Hydraulic Research at the University of Southern California.

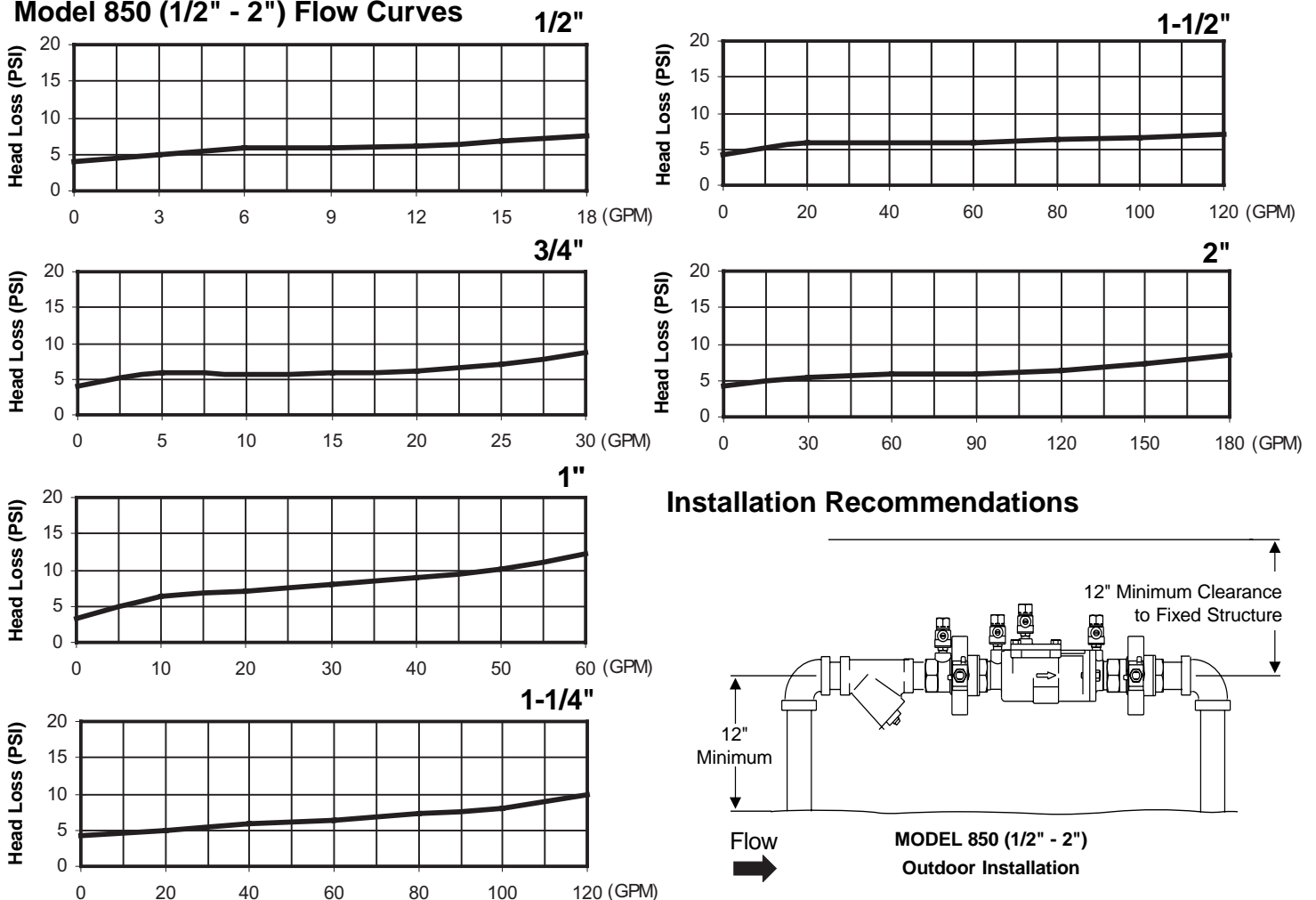
### Application

Non-Health Hazard

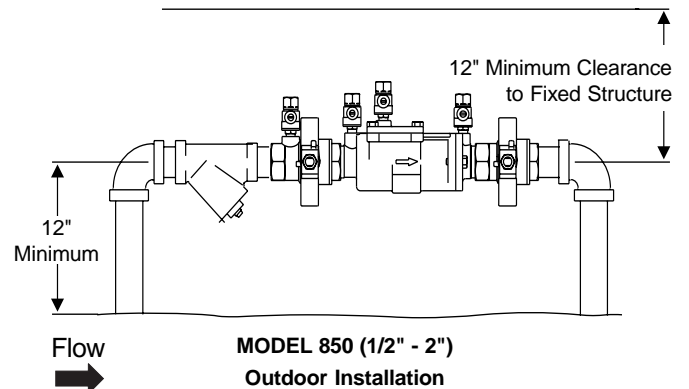
### Options

- Wye - Strainer

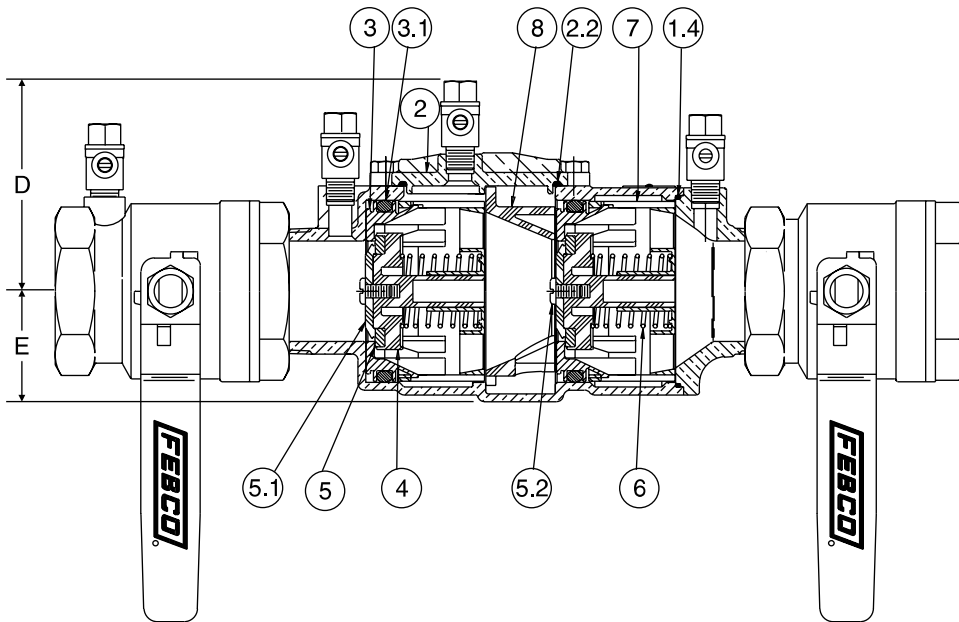
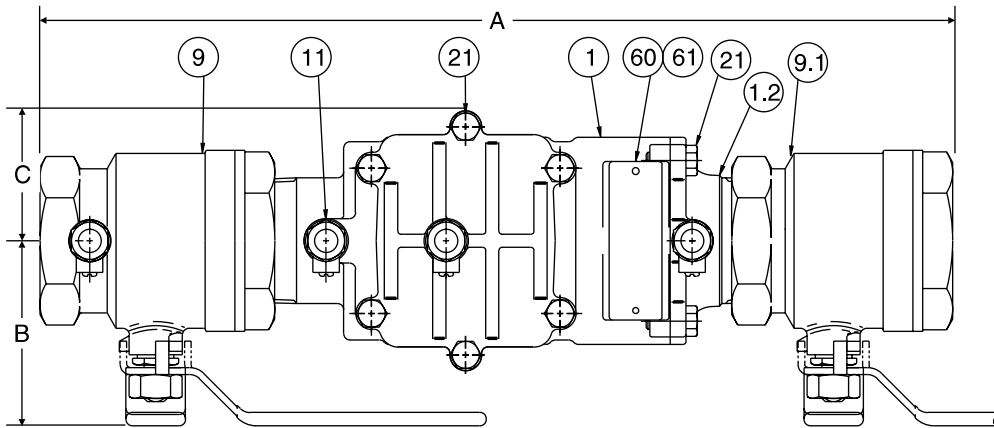
### Model 850 (1/2" - 2") Flow Curves



### Installation Recommendations

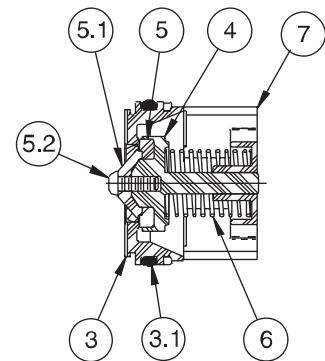


## Model 850 (1/2" - 2")



ITEM	DESCRIPTION	MATERIALS
1	Body	Bronze
1.2	Tailpiece	Bronze
1.4	O-Ring	Silicone
2	Cover	Bronze
2.2	O-Ring	Silicone
3	Seat	Noryl
3.1	O-Ring	Silicone
4	Poppet	Noryl
5	Seat Disc	Silicone
5.1	Disc Retainer	Noryl
5.2	Rnd HD Screw	Stainless Steel
6	Spring	Stainless Steel
7	Guide	Noryl
8	Retainer Spacer	Noryl
9	Ball Valve (w/tap)	Brozeng
9.1	Ball Valve	Bronze
11	Test Cock	Bronze
21	Hex HD Capscrew	Stainless Steel
60	Identification Plate	Brass
61	Drive Screw Stick	Stainless Steel

### Model 850 (1/2" - 2") Check Assembly



### Dimensions and Weights

SIZE	U.S. - Inches (mm)					NET WT. Lbs. (kgs.)
	A	B	C	D	E	
1/2"	10 (254.00)	1 1/2 (38.10)	1 1/2 (38.10)	3 1/8 (79.38)	1 1/4 (31.75)	4.2 (1.91)
3/4"	10 3/4 (273.05)	1 1/2 (38.10)	1 1/2 (38.10)	3 1/8 (79.38)	1 1/4 (31.75)	4.4 (2.00)
1"	12 1/2 (317.50)	1 7/8 (47.63)	1 5/8 (41.28)	3 3/8 (85.73)	1 1/2 (38.10)	6.8 (3.08)
1 1/4"	15 7/8 (403.23)	3 (76.20)	2 1/2 (63.50)	4 1/4 (107.95)	2 1/4 (57.15)	15.8 (7.17)
1 1/2"	16 3/8 (415.93)	3 (76.20)	2 1/2 (63.50)	4 1/4 (107.95)	2 1/4 (57.15)	16.2 (7.35)
2"	17 5/8 (447.68)	3 1/2 (88.90)	2 1/2 (63.50)	4 1/4 (107.95)	2 1/4 (57.15)	21.1 (9.57)

Note: Dimensions are nominal. Allowances must be made for normal manufacturing tolerances.

**Distributed by:**  
**Daniel L. Jerman Co.**  
 275 Railroad Place  
 Hackensack, NJ 07601

Phone 800.654.3733  
 Fax 201.487.3953  
 International Phone 201.487.7444

