

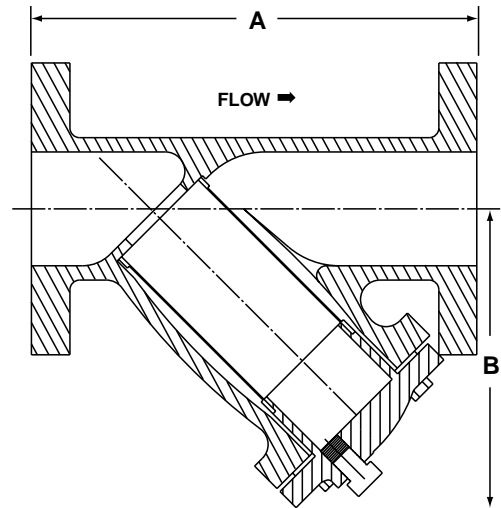
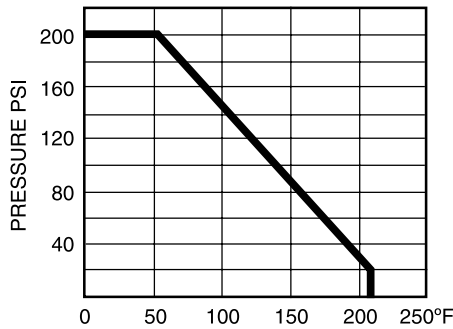
SPECIFICATION SHEET MODEL 758A



Cast Iron Flanged "Y" Strainer

125 lb. ANSI
2-1/2" - 10"

WORKING PRESSURE - 200 PSI WOG
NON-SHOCK



Service Recommendations

The Model 758A "Y" strainer is recommended for use in water piping to provide economical protection for pumps, meters, valves, and similar equipment.

Screens

Standard screens for the Model 758A "Y" strainer are perforated 304 stainless steel with spot welded seam. (see table for screen perf.)

Construction

All covers have an NPT blowoff outlet. Recessed seat in the cover assures accurate screen alignment. Bosses at the inlet and outlet flanges are provided for gage taps.

Material Specifications

Individually Hydrostatically Tested

Body: Cast Iron, ASTM A126B
 Cover: Cast Iron, ASTM A126B
 Screen: 304 Stainless Steel
 Gasket: PTFE/Graphite
 Cover Bolt: Plated Steel
 Drain Plug: Cast Iron, ASTM A126B
 Coating: Epoxy

SELF CLEANING is done by opening the valve or plug connected to the blowoff outlet.

Blowoff Outlets

Tapped NPT, sizes specified in the dimension table. Blowoff outlets are furnished with plugs. Blowoff port can be used on vertical installations to clean the strainer under pressure (see reverse side).

Dimensions and Weights

U.S. - INCHES					Weight
Size	A	B	Screen Perf	Blow Off Port	(lbs.)
2½"	10¾	8¾	3/64"	1 - 11½ NPT	28
3"	11½	9½	3/64"	1 - 11½ NPT	34
4"	13⅞	11½	1/8"	1 - 11½ NPT	64
6"	18½	12⅝	1/8"	1½ - 11½ NPT	133
8"	21⅜	16⅜	1/8"	1½ - 11½ NPT	247
10"	26	19	1/8"	2 - 11½ NPT	370

MM - METRIC					Weight
Size	A	B	Screen Perf	Blow Off Port	(kgs.)
15	273.1	222.3	3/64"	1 - 11½ NPT	13.70
20	292.1	241.3	3/64"	1 - 11½ NPT	15.42
25	352.4	292.1	1/8"	1 - 11½ NPT	27.22
32	469.9	320.7	1/8"	1½ - 11½ NPT	60.33
40	542.9	415.9	1/8"	1½ - 11½ NPT	112.04
50	660.4	482.6	1/8"	2 - 11½ NPT	167.83

Weights shown are approximate.

Dimensions shown are nominal, allowances must be made for normal manufacturing tolerances.

SPECIFICATION SHEET MODEL 758A



Cast Iron Flanged "Y" Strainer – Vertical Installation

Vertical Installation

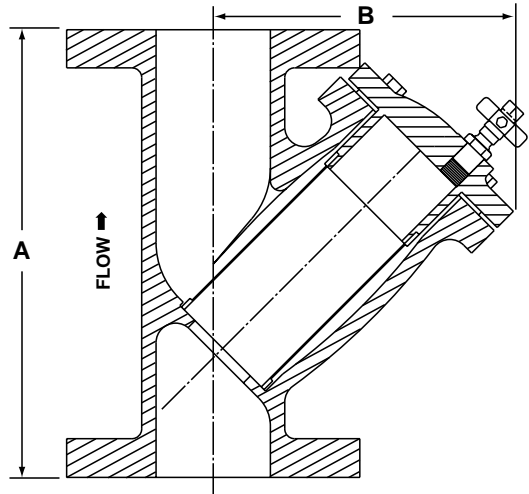
The standard "Y" strainer can be used in a vertical installation for FEBCO "N" and "V" style backflow preventers. The debris can be flushed from the strainer by installing a blow-off nipple and ball valve. The blow-off discharge should be carefully discharged to a safe location as it is under pressure.

Service Recommendations

The Model 758A "Y" strainer is recommended for use in water piping to provide economical protection for pumps, meters, valves, and similar equipment.

Screens

Standard screens for the Model 758A "Y" strainer are perforated 304 stainless steel with spot welded seam. (see table for screen perf.)



Construction

All covers have an NPT blowoff outlet. Recessed seat in the cover assures accurate screen alignment. Bosses at the inlet and outlet flanges are provided for gage taps.

Self cleaning is done by opening the valve DO NOT REMOVE PLUG connected to the blowoff outlet.

Blowoff Outlets

Tapped NPT, sizes specified in the dimension table. Blowoff outlets are furnished with plugs. Nipples and or ball valves not included. This can be used on vertical installations to clean the strainer under pressure.

Material Specifications

Individually Hydrostatically Tested

Body: Cast Iron, ASTM A126B
 Cover: Cast Iron, ASTM A126B
 Screen: 304 Stainless Steel
 Gasket: PTFE/Graphite
 Cover Bolt: Plated Steel
 Drain Plug: Cast Iron, ASTM A126B
 Coating: Epoxy

Dimensions and Weights

U.S. – INCHES					Weight
Size	A	B	Screen Perf	Blow Off Port	(lbs.)
2½"	10¾"	8¾"	3/64"	1 - 11½ NPT	28
3"	11½"	9½"	3/64"	1 - 11½ NPT	34
4"	13⅞"	11½"	1/8"	1 - 11½ NPT	64
6"	18½"	12⅝"	1/8"	1½ - 11½ NPT	133
8"	21¾"	16¾"	1/8"	1½ - 11½ NPT	247
10"	26"	19"	1/8"	2 - 11½ NPT	370

MM – METRIC					Weight
Size	A	B	Screen Perf	Blow Off Port	(kgs.)
15	273.1	222.3	3/64"	1 - 11½ NPT	13.70
20	292.1	241.3	3/64"	1 - 11½ NPT	15.42
25	352.4	292.1	1/8"	1 - 11½ NPT	27.22
32	469.9	320.7	1/8"	1½ - 11½ NPT	60.33
40	542.9	415.9	1/8"	1½ - 11½ NPT	112.04
50	660.4	482.6	1/8"	2 - 11½ NPT	167.83

Weights shown are approximate.

Dimensions shown are nominal, allowances must be made for normal manufacturing tolerances.

Distributed by:
Daniel L. Jerman Co.
 275 Railroad Place
 Hackensack, NJ 07601

Phone 800.654.3733
 Fax 201.487.3953
 International Phone 201.487.7444

