

SPECIFICATION SHEET MODEL 710/715 (1/2"-2")



Atmospheric Vacuum Breaker

Features

- Meets all specifications of ASSE
- Documented flow curves established by The Twining Labs, Inc.
- Simple service procedures.
- Light weight plastic poppets.
- Resilient rubber poppet discs designed for positive closure.
- Cold water applications.

Operation

FEBCO Model 710/715 assures positive protection against back-siphonage of impure water into the main supply in the event that pressure loss causes vacuum conditions. A poppet seals the air inlet when the unit is pressurized. When a back-siphonage occurs, the poppet drops to allow air to enter the downstream piping. At the same time the poppet shields the water inlet to prevent foreign materials from entering the upstream piping. Restoration of pressure (flow) lifts the poppet to seal the air inlet.

Specifications

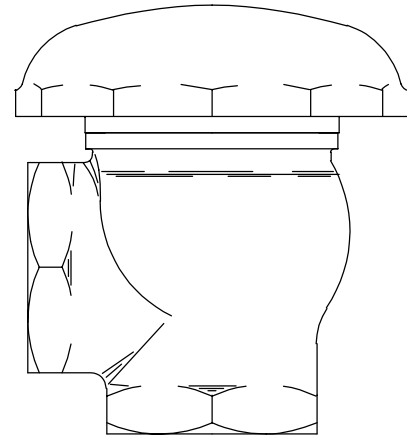
Atmospheric Vacuum Breakers shall be installed on the discharge side of the last shut-off valve, shall have all bronze bodies and bonnets, and shall be of the non-spilling type. Vacuum breaker shall be rated to 150 PSI working pressure and shall withstand water temperatures of 32°F to 110°F for the 710 (1"-2") and 32°F to 180°F for the 715 (1/2"-3/4").

Typical Applications

- Hose bibbs
- Chemical vats
- X-ray tanks
- Turf irrigation systems
- Laboratory sinks

Agency Compliance

- ASSE (Std. 1001)
- CSA B64.1.1 Certified
- IAPMO® Listed

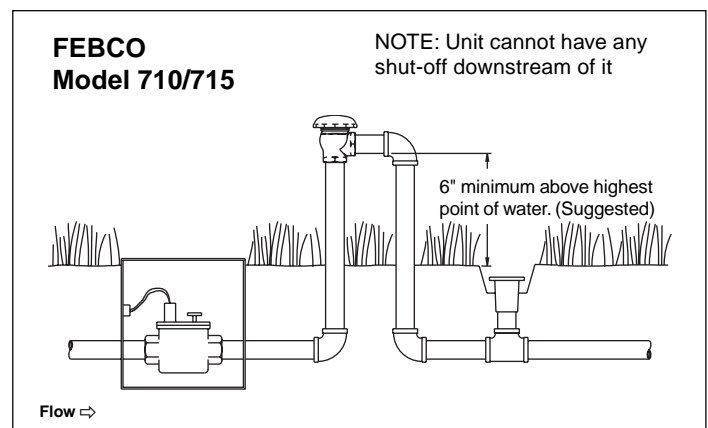


Model 710 (1" through 2") Model 715 (1/2" through 3/4")

Installation

An Atmospheric Vacuum Breaker may be used to protect a cross connection against back siphonage, where the vacuum breaker is not subjected to back pressures due to pumps or any other conditions which may cause back pressure, no matter how slight. It must be installed on the discharge side of the last shut-off valve. Code requirements vary as to the height this vacuum breaker must be installed above the highest overflow level but a minimum of 6" is required. The atmospheric vacuum breaker must be installed with the air inlet in a level position.

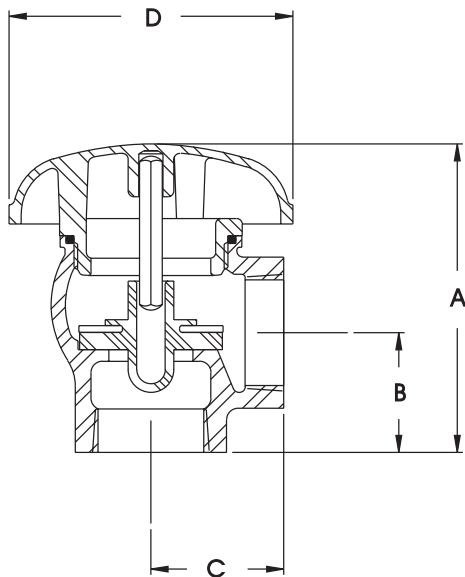
NOTE: No valve of any type may be installed on the discharge side of an atmospheric vacuum breaker.



Dimensions and Weights

(U.S. - Inches)					
SIZE	A	B	C	D	NET WT. (Lbs.)
1/2	2 1/2	1 1/4	1 1/4	2 1/2	3/4
3/4	2 7/8	1 3/8	1 3/8	2 1/2	1
1	3 1/2	1 3/8	1 1/2	3 1/4	1 3/4
1 1/4	3 7/8	1 5/8	2	4	2 1/2
1 1/2	4 5/8	2 1/8	2 1/8	4 1/2	3 3/4
2	5 3/8	2 1/8	2 1/8	5 1/2	5 1/4

(Metric - MM)					
SIZE	A	B	C	D	NET WT. (Kgs.)
15	63.5	31.8	31.8	63.5	0.3
20	73.0	34.9	34.9	63.5	0.5
25	88.9	34.9	38.1	82.6	0.8
30	98.4	41.3	50.8	101.6	1.1
35	117.5	54.0	54.0	114.3	1.7
40	136.5	54.0	54.0	139.7	2.4

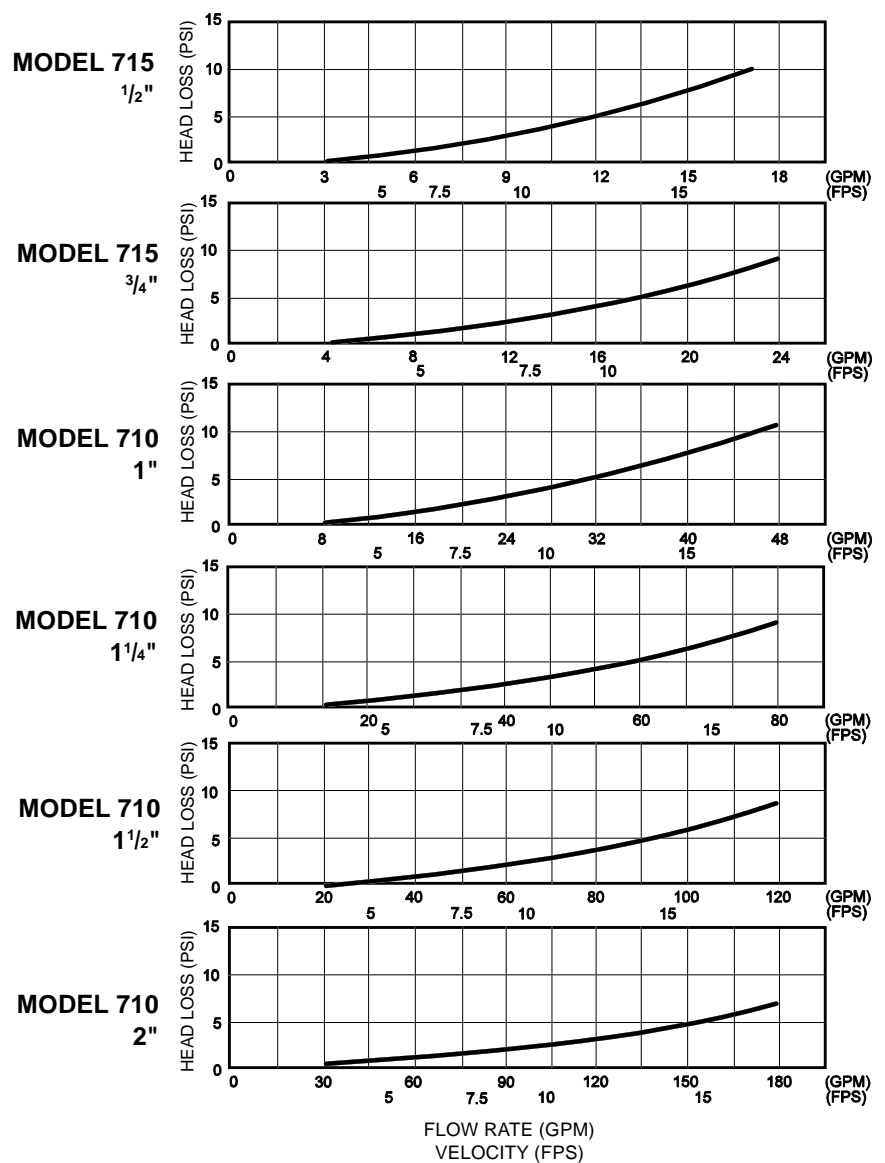


Characteristics and Materials

Maximum working pressure	150 PSI (1034 KPa)
Hydrostatic test pressure	150 PSI (1034 KPa)
Temperature range	710 (1"-2") 32°F to 110°F 715 (1/2"-3/4") 32°F to 180°F
Fluid	Water
End detail	1PT thread ANSI B2.1
Valve body	Bronze
Elastomers	Nitrile
Poppet	Acetal/Polypropylene 1/2, 3/4, 1, 1 1/4, 1 1/2, 2

Flow Curves

Flow curves as established by the Twining Labs, Inc.



Distributed by:
Daniel L. Jerman Co.
 275 Railroad Place
 Hackensack, NJ 07601

Phone 800.654.3733
 Fax 201.487.3953
 International Phone 201.487.7444

