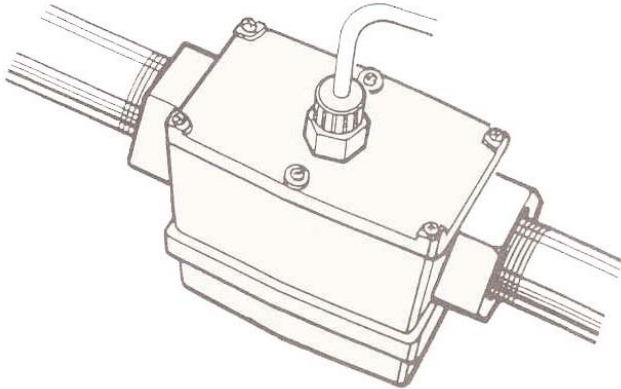


## Specification Sheet

## Industrial Pulse Access Module



The Pulse Access Module shown with a standard AMCO Turbine and Computer Electronics which are sold separately.

### Description

Combine the Pulse Access Module with an Industrial Grade Turbine and Computer Electronics to create a low-cost flow sensor with both local readout and pulse output which interfaces with various counters, controllers and compatible process equipment.

The pulse output of this module provides an unscaled, amplified, digital signal capable of transmission up to 5,000 ft. (1,524 m) without additional signal conditioning or amplification devices.

The Pulse Access Module comes complete, ready to install, with a circuit assembly, coverplate assembly and 10 ft. (3 m) of cable.

- Provides a digital open collector signal.
- Can transmit up to 5,000 ft. (1,524 m).
- Communicates with most digital process control devices.
- Installs easily.
- May be ordered at time of meter purchase or retrofitted.

Note: This Pulse Access Module is not FM Approved and use of this module with an FM Approved metering system voids approval.

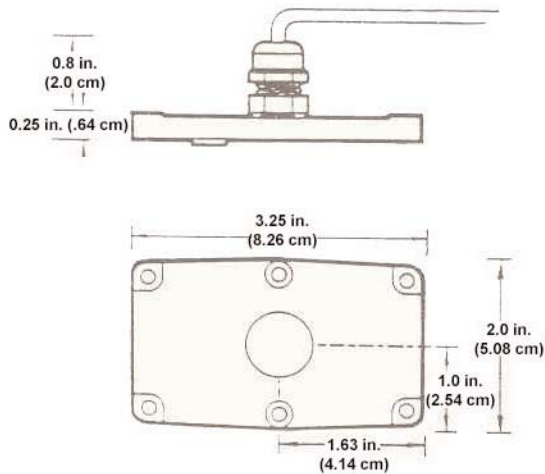
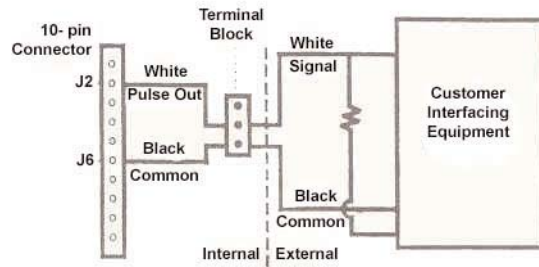
### Specifications

Frequency Range:	0 to 750 Hz
Housing Material:	Nylon 6/6
Strain Relief:	Hubble-PG7
Coverplate Thread:	Female 1/2-20 UNF-2B
Cable:	Belden 9363
Standard Cable Length:	10 ft. (3 m)
Temperature:	+14°F to 140°F (-10°C to +60°C)

### Open Collector Current Sinking Output

Applied Voltage: 0 to 60 Volts DC  
 Connection: Two Wire  
 Allowable Current: Up to 100 mA  
 Output: Square Wave Pulse.  
 Amplitude same as supplied voltage.

Note: Computer electronics, which work in conjunction with this module, continue to be powered with batteries.



**AMCO**   
 Distributed by:

[www.watermeters.com](http://www.watermeters.com)

The company's policy is one of continuous product improvement and the right is reserved to modify the specifications contained herein without notice.

© 2003 AMCO Water Metering Systems Inc. All rights reserved.

**Daniel L. Jerman Co.**  
 275 Railroad Place  
 Hackensack, NJ 07601  
 Phone 800.654.3733  
 Fax 201.487.3953  
 International Phone  
 201.487.7444

IND-PAMOD/02-03