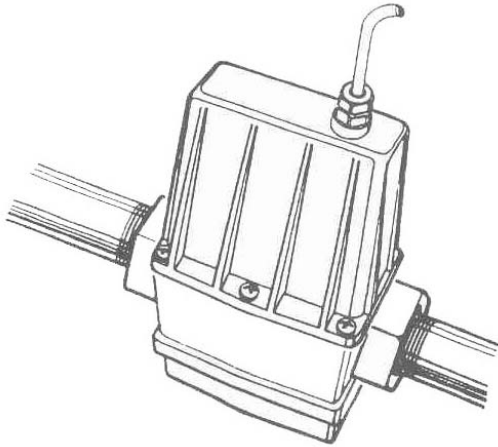


Specification Sheet

Industrial 4-20 mA Module



The 4-20 mA Module shown with a standard AMCO Turbine and Computer Electronics which are sold separately.

Description

Combine the 4-20 mA Module with an Industrial Grade Turbine and Computer Electronics to provide an industry standard analog signal for connection to a wide variety of chart recorders, display equipment, and process control equipment.

This module, when operating within its normal range, outputs an analog signal which is directly proportional to the frequency of the digital input. Upon installation, the user completes simple adjustments to scale the module to represent whatever range is desired.

The 4-20 mA Module comes complete, ready to install, with a circuit assembly, main module, and 10 ft. (3m) of cable.

- Provides an industry standard analog signal.
- Simple user adjustments modify module output to desired range.
- Communicates with most analog process control devices.
- Installs easily.
- May be ordered at time of meter purchase or retrofitted.
- Module provides external power to computer electronics.

Specifications

Mechanical

Housing Material:	Nylon 6/6
Strain Relief:	Hubble PG7
Housing Thread:	Female 1/2-20 UNF-2B
Cable:	Belden 9363
Cable Length:	10 ft. (3m) provided
Operation Temperature:	0° to + 150°F (-17° to 65°C)
Storage Temperature:	-40° to +180°F (-40° to +82°C)

Power

Type:	Loop Powered
Burden (Minimum):	7 Volts DC
Maximum:	30 Volts DC
Isolated:	No

Primary Output (4-20mA)

Type:	Loop
Minimum:	4 mA
Maximum:	25 mA

Secondary Output (0-5 Volt)

Type:	Voltage Mode
Minimum:*	0 Volts*
Maximum:*	5 Volts*

* Output may not be linear at extremes.

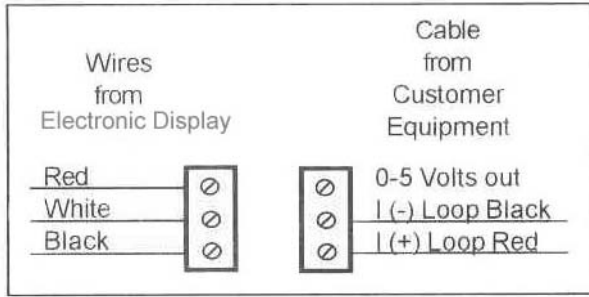
Input

Open Collector from AMCO Computer Electronics or Conditioned Signal Module. 4-20 mA Module will accept frequencies generated by all AMCO Industrial Grade (A2) turbine housings. This module should not be used with frequency generating devices other than AMCO Models.

Note: Register display continues to be powered by batteries.

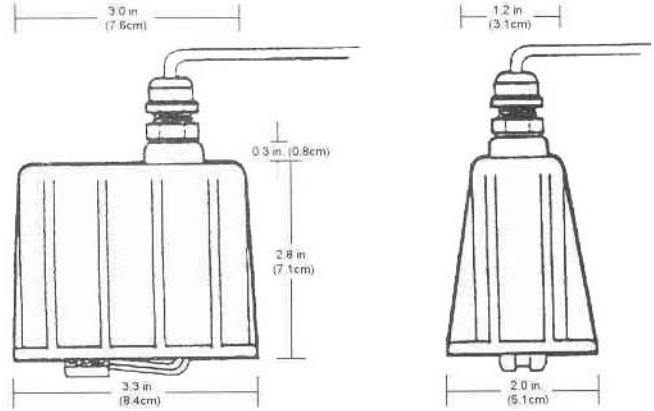
- Module installs on all turbine sizes.

4-20 mA Module Terminal Connections



Wires from Electronic Display detail:

White wire from 10- pin connector J2.
 Red wire from 10-pin connector J5.
 Black wire from 10-pin connector J6.



AMCO 
 Distributed by:

www.watermeters.com

The company's policy is one of continuous product improvement and the right is reserved to modify the specifications contained herein without notice.

© 2003 AMCO Water Metering Systems Inc. All rights reserved.

Daniel L. Jerman Co.
 275 Railroad Place
 Hackensack, NJ 07601
 Phone 800.654.3733
 Fax 201.487.3953
 International Phone
 201.487.7444

IND-420MOD/02-03