

Specification Sheet



Description

The EBC2C is an AC powered totalizer, rate indicator, and batch controller. It has both single relay output to a standard solenoid and dual relay output for use with dual valve batch control systems, dual stage solenoids, or bi-directional solenoids with auxiliary limit switches. A six character, red LED display shows totalizers and rate of flow and allows the user to program the unit using the tactile push buttons.

Programming mode includes five menus to set count factors, scaling factors, as well as the batch controller's preset outputs, counter presets, resets, and timers. The unit utilizes nonvolatile memory, so your programming settings remain intact even in the event of a power loss.

Other features include:

- Standard 1/8 DIN cut out
- Both uni-directional and quadrature count input
- Scaleable solid state or contact count inputs
- 10 kHz max count input frequency
- Front panel or remote reset
- 6 digit, LED display, 0.56" high characters
- Rate indication
- Two form-C relay outputs
- Nema 4X
- UL, cUL listed, CE compliant

All wiring for the EBC2C is done to the rear of the counter with removable connectors. Four terminals include 85-265 VAC power supply; meter inputs from dry contact reed switches, opto-electric pulsers, and other pulse output devices; control inputs including programming lock; and relay / transistor outputs. Wiring diagrams are available upon request.

EBC2C

Electronic Batch Controller

Specifications

MECHANICAL

Cutout	
Dimensions:	3.62" W x 1.77" H (92 mm x 45 mm) DIN
Outline	
Dimensions:	4.04" W x 2.19" H x 3.87" D (103 mm x 56 mm x 98 mm) 3.60" (92 mm) maximum depth in panel
Enclosure:	Engineered plastic with polyester front label
Connectors:	Four removable user-friendly terminal blocks

INPUT POWER

Input Power:	85-265 VAC, 47-63 Hz, 20 VA
External Fuse:	0.2 A, 250 VAC, Time Delay (T200 mA, 250 V)
Isolation	
Dielectric	
Strength:	2300 VAC

ENVIRONMENTAL

Operating	
Environment:	Indoor use to 6562 ft (2000 m)
Temperature:	Operating: 32°F to 122°F (0°C to 50°C) Storage: -4°F to 158°F (-20°C to 70°C)
Humidity:	0 to 85% RH, non-condensing
Vibration:	2.5 g's, 30 to 200 Hz
Shock:	30 g's, 11 msec half sine wave
EMC:	Immunity to EN 50082-2 (Heavy Industrial) Emissions to EN 50081-2 (Heavy Industrial)
Front Panel:	NEMA 4X when mounted with gasket provided
Approvals:	UL, cUL listed, CE compliant
Pollution Degree 2	Over voltage category II

RELAY / TRANSISTOR OUTPUTS

Number: 2 relays
 Relay Contact Type: 1 set form C per relay
 Relay Contact Rating: 5A, 250 VAC or 30 VDC

HUMAN INTERFACE

Display: 6 digits
 Type: 0.56" high, seven segment, red LED

DATA RETENTION

Memory Type: EEPROM, no batteries required
 Duration: 100 years

COUNT SIGNAL INPUT / COUNT INHIBIT SIGNAL INPUT

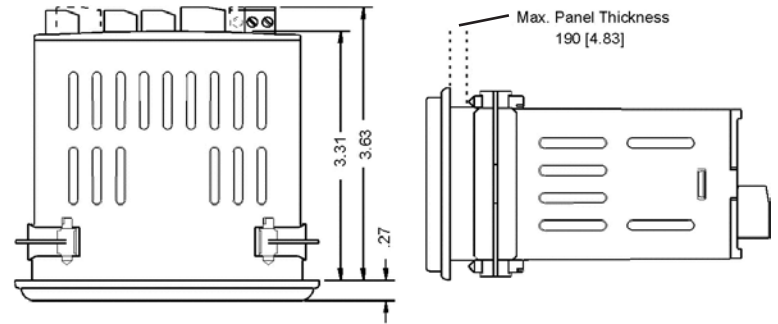
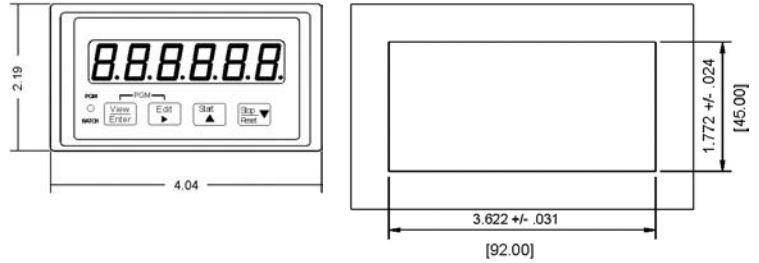
Sensor Type: Sink or source, DIP switch selectable
 Input Impedance: 4.75 Kohms to +5 VDC or 34.9 Kohms to ground
 Thresholds: High 3.5 to 28 VDC, low 0 to 1.9 VDC, for single ended signals
 Magnetic
 Pickup Range: 50 mV p-p to 65 VRMS into 34.9 Kohms
 Slow Response: 50 Hz max. (DIP switch 2 and/or 5 ON)
 Fast Response: 10 kHz

CONTROL INPUTS

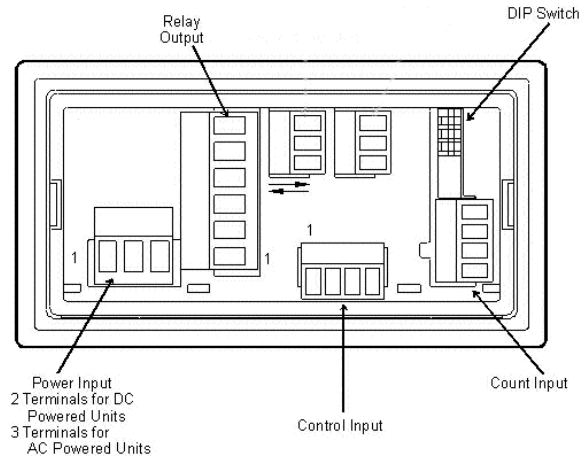
Sensor Type: Sink only
 Input Impedance: 4.75 Kohms to +5 VDC
 Thresholds: High 3.5 to 28 VDC, low 0 to 1.0 VDC
 Response: 25 msec maximum (5V signal)

ACCESSORY POWER OUTPUT

Voltage: 12 VDC ±12%
 Current: 75 mA max.
 Protection: Short circuit protected



Rear Terminal Layout



AMCO
 Distributed by:

www.watermeters.com

The company's policy is one of continuous product improvement and the right is reserved to modify the specifications contained herein without notice.

© 2003 AMCO Water Metering Systems Inc. All rights reserved.

Daniel L. Jerman Co.
 275 Railroad Place
 Hackensack, NJ 07601
 Phone 800.654.3733
 Fax 201.487.3953
 International Phone
 201.487.7444

EBC-2C/02-03